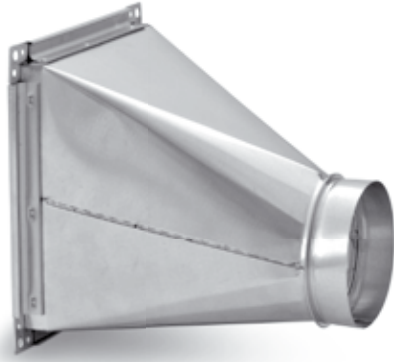


Eccentric Rectangular-to-Round Reducer

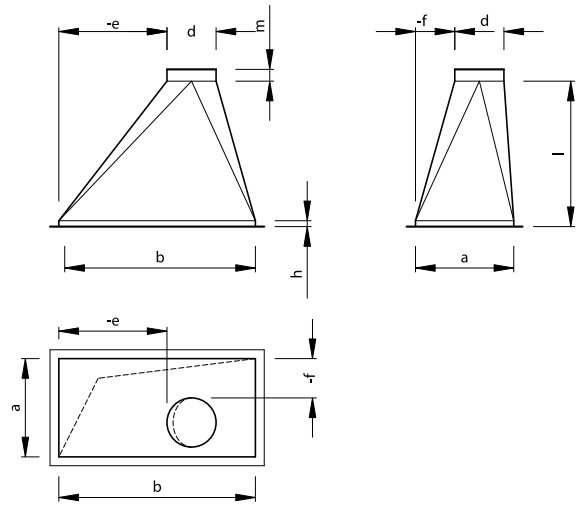
PR7/PRL7



Description

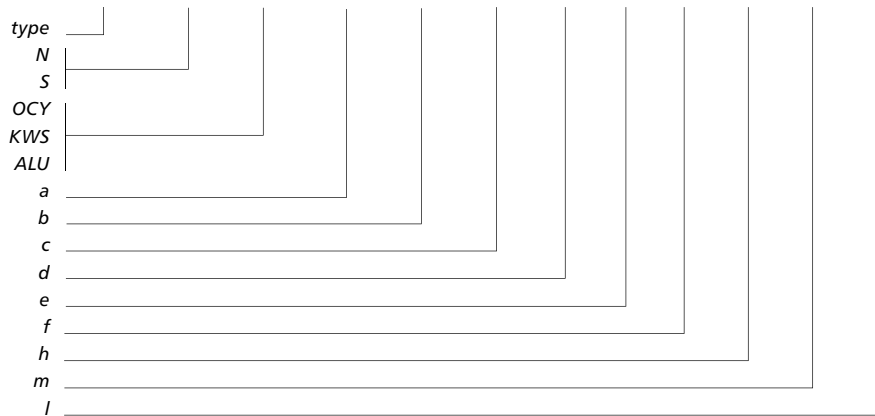
The conversion is used to change the cross-section of the duct system from rectangular to round. The fitting enables to design a ventilation system with all dimensions freely changeable and any offset in both directions. The round take-off has usually a male end. The PRL7 fitting comes with a gasketed male end.

Dimensions



Example identification

product code **PR7 - N - OCY - 500 × 300 - 250 - 50 - 30 - 30 - 50 - 800 - 300**



- PR7 without gasket
- PRL7 with gasket
- N low pressure
- S medium pressure
- OCY galvanised material
- KWS acid-proof material
- ALU aluminium material
- a width
- b height

- d diameter
- e vertical shift
- f horizontal shift
- h extension (by default, $h = 30$ mm)
- m extension (by default, $m = 50$ mm)
- l length

The components are usually fabricated with standard dimensions, and there is no need to specify them.