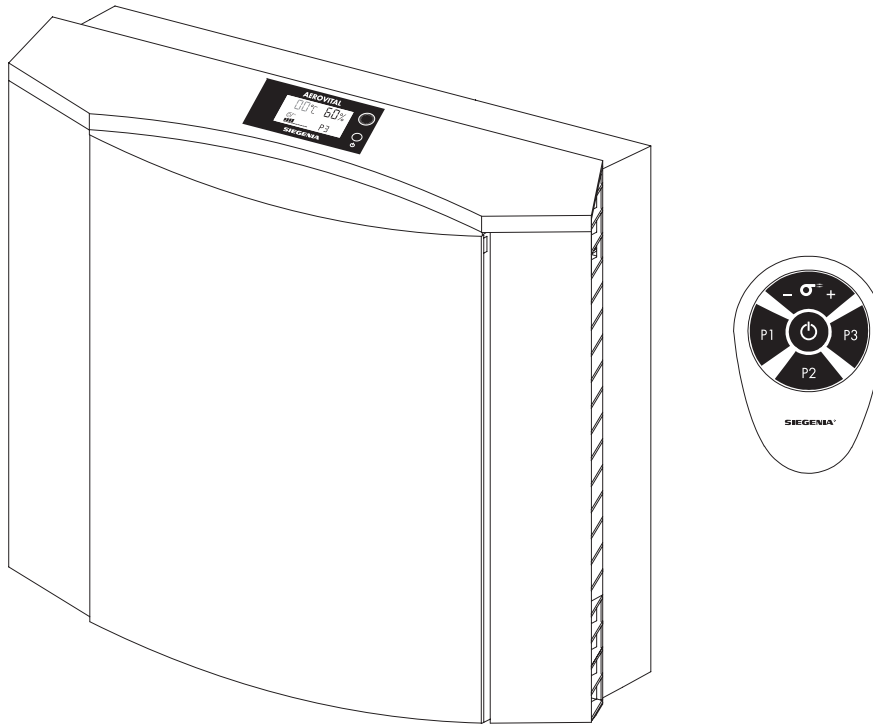


Wall mounted ventilator with sound absorption and heat recovery



Application

- The AEROVITAL is a wall-mounted ventilation unit with an air duct through the brickwork.

Function

- The low-noise AEROVITAL provides controlled and energy-saving indoor ventilation.

Features

- Sound absorption
- Low internal noise
- Unit with heat recovery
- Filters pollen and dust
- Blower switchable between 10 levels
- Individual device settings can be programmed
- Dehumidification control
- The AEROVITAL uses an electrically operated ventilator to draw in fresh air from the outside and provide fresh filtered air inside and then extracts the filtered stale air to the outside.
- The unit is operated via a button on the front panel and a remote control.
- The unit can be controlled manually or automatically.
- Technical approval (DIBt)

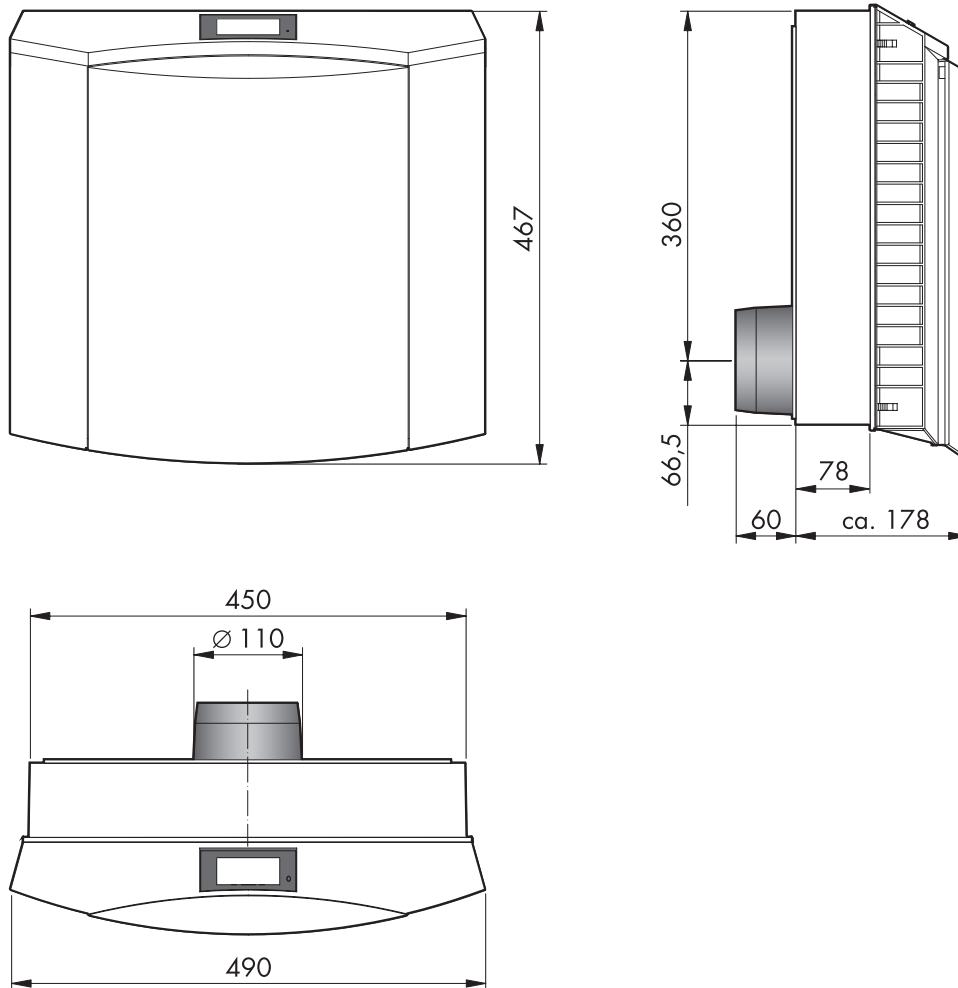
Technical data

	AEROVITAL
Air throughput	Level 1 appr. 25 m ³ /h Level 4 appr. 35 m ³ /h Level 10 appr. 60 m ³ /h
Internal noise (measured according to DIN EN ISO 3745, with room insulation of 8 dB)	Level 1 L _{PA} = 23 dB (A) Level 4 L _{PA} = 30 dB (A) Level 10 L _{PA} = 40 dB (A)
Power consumption	Level 1 10 watts Level 4 17 watts Level 10 32 watts
Heat recovery efficiency (DiBT)	max. 73 %
Sound absorption (measured according to DIN EN 10140-2)	D _{n,e,w} = 52 dB
Electrical connection	230 V~ / 0,17 A
Protection class	II
Weight	12,5 kg
Fresh air filter	Filter grade F7 (3-layer, synthetic composite filter)

Product fiche (in accordance with EU regulation 1254/2014)

a	producer	SIEGENIA
b	model identifier	AEROVITAL
c	energy consumption (SEC) energy consumption class (SEC class) (per climate zone: warm / average / cold)	– 9,5 kWh/(m ² · a); F – 30,6 kWh/(m ² · a); B – 67,5 kWh/(m ² · a); A+
d	typology	RVU / BVU
e	type of drive	variable speed drive
f	heat recovery system	recuperative
g	thermal efficiency	53,8 %
h	maximum flow rate	60 m ³ /h
i	electric power input	32 W
j	sound power level	42 dB (A)
k	reference flow rate	43 m ³ /h
l	reference pressure difference	–
m	specific power input	0,51 W/(m ³ /h)
n	control factor / control typology	1,21 / 0,65
o	maximum internal and external leakage rates (internal / external leakage)	– 1 % / 7 %
p	mixing rate (inside / outside)	1,9 % / 21 %
q	instructions to change filter	see Original operating instructions (H47.WANS003EN)
r	instructions to install supply/exhaust grilles (with unidirectional ventilation systems)	–
s	dis-assembly instructions	–
t	the airflow sensitivity to pressure variations (at + 20 Pa and - 20 Pa)	15 % / 14 %
u	the indoor/outdoor air tightness	2,5 m ³ /h
v	the annual electricity consumption (in kWh electricity/a)	3,4 kWh/a
w	the annual heating saved (in kWh primary energy/a)	17,4 kWh/a 38,5 kWh/a 75,4 kWh/a

Dimensions



Ordering information

Material designation	Material number
AEROVITAL (inc. pipe, weather grille, remote control, filter)	L5300200-096010
Spare filter F7 (three-layer, synthetic composite filter)	248843
Spare filter NOx filter F7	L5300200-099010

SIEGENIA®
brings spaces to life

Hardware and ventilation technology
Duisburger Straße 8
57234 Wilnsdorf
GERMANY

Phone: +49 271 3931-0
Telefax: +49 271 3931-172
info@siegenia.com
www.siegenia.com



You can find address details for our international sites at: www.siegenia.com

SIEGENIA worldwide:

- Austria** Phone: +43 6225 8301
- Belarus** Phone: +375 17 3121168
- Benelux** Phone: +32 9 2811312
- China** Phone: +86 316 5998198
- France** Phone: +33 3 89618131
- Germany** Phone: +49 271 39310
- Great Britain** Phone: +44 2476 622000

- Hungary** Phone: +36 76 500810
- Italy** Phone: +39 02 9353601
- Poland** Phone: +48 77 4477700
- Russia** Phone: +7 495 7211762
- South Korea** Phone: +82 31 7985590
- Switzerland** Phone: +41 33 3461010
- Turkey** Phone: +90 216 5934151
- Ukraine** Phone: +380 44 4637979