

AERO

AEROVITAL ambience

Wall-mounted ventilator with sound absorption.

Window systems

Door systems

Comfort systems

Content

1	TARGET GROUP OF THIS DOCUMENTATION	3
2	INTENDED USE	3
3	DIMENSIONS	4
4	FEEDBACK ON DOCUMENTATION.....	4
5	SAFETY NOTES	4
6	SCOPE OF DELIVERY AND EQUIPMENT.....	5
7	INSTALLATION	6
7.1	Installation requirements.....	6
7.2	Additional requirements for AEROVITAL ambience smart.....	6
7.3	Installation dimensions	7
7.4	Installation sequence	8
8	RECTIFICATION OF MALFUNCTIONS.....	17
9	TECHNICAL SPECIFICATIONS.....	18
10	DIMENSIONS	18
11	PRODUCT DATA SHEET (IN ACCORDANCE WITH EU REGULATION 1254/2014)	19

1 Target group of this documentation

- This documentation is intended for use by specialists.
- All instructions concerning assembly, installation and repairs described in this document are to be

performed exclusively by experienced professionals with training and practice in the installation, commissioning, servicing and maintenance of decentralised ventilation units.

2 Intended use

- Use the AEROVITAL ambience exclusively for the ventilation of closed rooms (kitchen, bathroom, living rooms and bedrooms).
- AEROVITAL ambience is not suitable for dehumidification (e.g. for the drying of new buildings).
- The unit must always be installed by an experienced specialist, in accordance with the installation and planning documents of SIEGENIA. The installation instructions in this document must be complied with at all times.
- Be sure to mount the supplied SIEGENIA weather grille for the protection of the unit from the outer side.
- Do not install the unit in contaminated rooms and ensure that no hazardous substances can be drawn in.
- The unit is not suitable for use in swimming pools and/or damp locations.
- AEROVITAL ambience must be mounted in a vertical position. Mounting on inclines (e.g. walls and ceilings), is not permissible.
- If the unit is to be used in a room with a heating unit that draws air from the room, prior authorisation must be obtained from the proper authorities, such as the officially appointed district chimney sweep.
- Only operate and/or store the AEROVITAL ambience at temperatures between -15°C and +40°C.
- Use the unit only with original accessories from SIEGENIA.
- Comply with the safety regulations for operating electrical equipment and, if necessary, for ladders, steps and work overhead or at certain heights.
- Use the unit only when it is in a technically sound condition.
- Do not modify the unit's components in any way.
- Please do not put any objects on top of the unit.
- Do not use the device as a seat.
- Make sure that air can flow in and out at the two outer sides without impedance. Do not hang any textiles or paper or similar items over the air inlet and outlet ports and do not place any objects directly in front of or next to the unit. Do not insert any objects into the openings of the unit.
- Do not remove any covers or unit components that are not defined in the "Maintenance" chapter. Do not remove the cover of the connecting clamps inside the unit.
- Please make sure that the unit is not switched off for a longer period (several days) in order to enable minimum ventilation and to prevent nesting of insects.
- The unit must be checked by a specialist in the event of a fault.

3 Dimensions

All the dimensions in this documentation are specified in millimetres (mm).

4 Feedback on documentation

We welcome your comments and suggestions on how to improve our documentation.

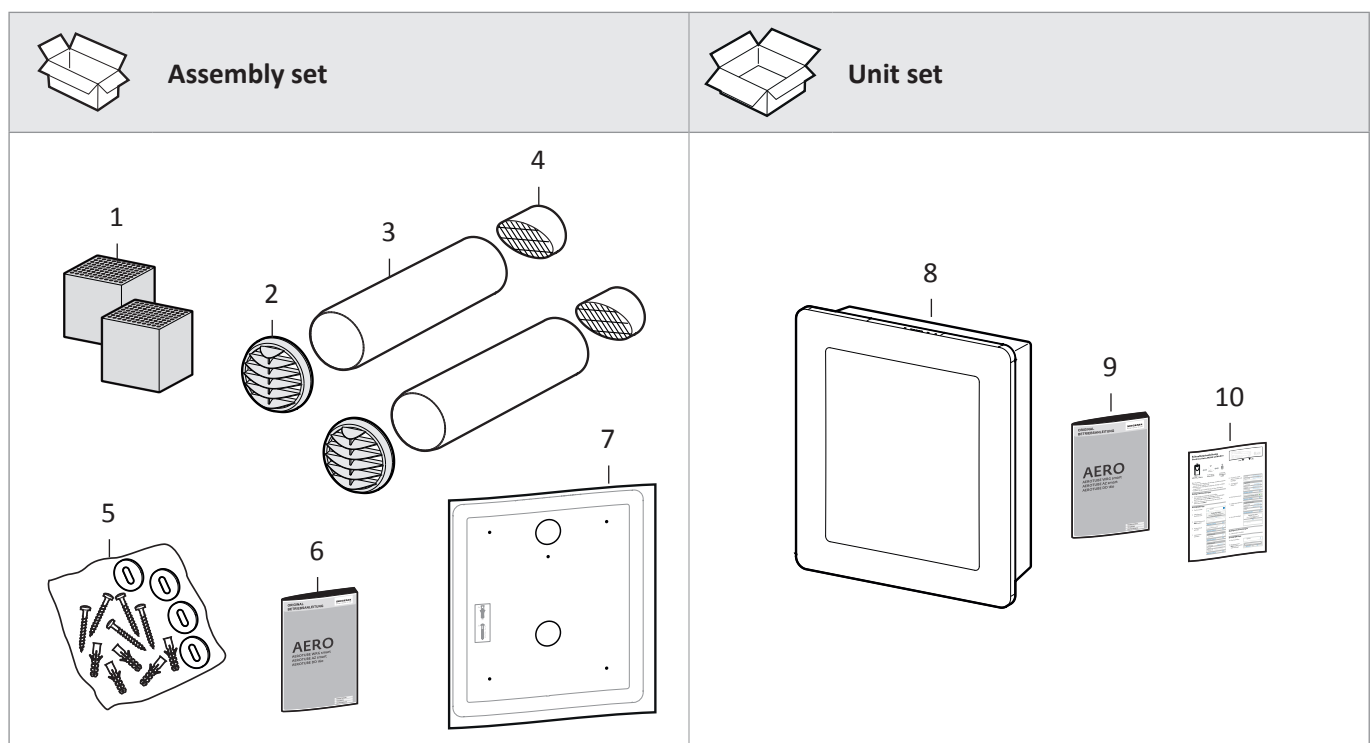
Please e-mail us your comments to documentation@siegenia.com.

5 Safety notes

- This unit can be used by children aged 8 and above as well as by people with physical, sensory or mental difficulties or with a lack of experience and knowledge as long as they are supervised or have been instructed in how to use the unit safely and understand the resulting risks. Children must not play with the unit. Cleaning and user maintenance may not be carried out by unsupervised children.
- Electrically operated unit. Risk of fatal injury from electric shock or fire.
- To prevent personal injury or damage to property, always comply with the following instructions
 - Insert the Euro mains plug of the standard connecting cable only into a suitable 230 V AC mains power supply socket.
 - If the mains connection cable for the unit is damaged, it must be replaced by SIEGENIA, the company's customer service department, or similarly qualified personnel in order to prevent the development of hazards.
 - Only a qualified electrician may perform any work on the 230 V AC mains power supply that is required in order to connect the unit.
 - All-pole safety isolation is required if the customer is routing the mains cable.
- Current local regulations (such as those of the VDE in Germany) must be observed.
- Relevant country-specific regulations with regard to installation, functional testing, repair and maintenance of electrical products must be strictly followed for all work carried out on the voltage supply system or house wiring system.
- Should a solid object or any liquid get inside the unit, stop operation immediately and disconnect the unit from the mains power supply.
- Hazard due to third party attacks on SIEGENIA WLAN devices! Please observe the following notes to protect your system against attacks by third parties:
 - Every SIEGENIA WLAN device is protected by two passwords (user and administrator). It is essential that you change these passwords after the initial setup. Do not leave in the default setting.
 - If the SIEGENIA WLAN devices are integrated in your home WLAN, this must be encrypted for operation.
 - Please choose secure passwords consisting of lower case and capital letters, numbers and special symbols.
- Slipping hazard – In order to prevent personal injury, it is essential to ensure that condensate does not flow onto pavements and freeze during outdoor temperatures below 0°C.

6 Scope of delivery and equipment

	Item	Designation	AEROVITAL ambience	AEROVITAL ambience smart
Scope of delivery	1	Heat accumulator stone (2x)	✓	✓
	2	Weather grille (2x)	✓	✓
	3	Pipe (2x)	✓	✓
	4	Insect screen (2x)	✓	✓
	5	Bag of screws (5 screws, 5 dowels, 4 Screw connection plates)	✓	✓
	6	Assembly instructions	✓	✓
	7	Drilling template	✓	✓
	8	AEROVITAL ambience	✓	✓
	9	Original operating instructions	✓	✓
	10	Quick start instructions	—	✓
Function		Heat recovery	✓	✓
		Keyboard lock (child-proof lock)	✓	✓
		Temperature and humidity sensor	✓	✓
		Air quality sensor	—	✓
		Operation via SIEGENIA Comfort app	—	✓



7 Installation

7.1 Installation requirements



Only install on a smooth and even wall (plastered)

ATTENTION

Concealed cables and pipes

Risk of damage to property by drilling holes through concealed cables or pipes!

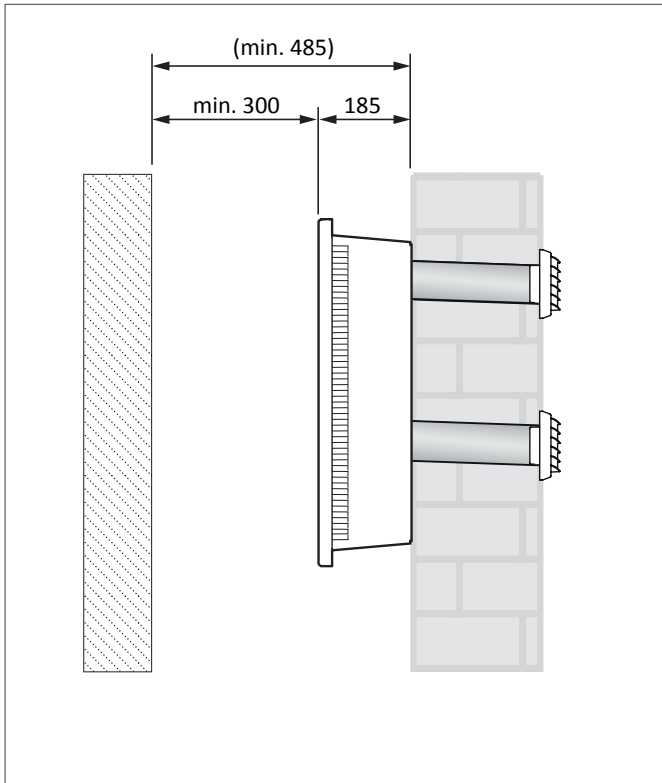
- Before installing the unit, use a suitable cable and pipe detector at the installation location to identify the presence of concealed cables or pipes in the wall (such as water pipes).

- Suitable installation location:
 - In the vicinity of a 230 V AC power connection (unit's maximum cable length: 4.5 m)
 - When a permanent mains connection is used: over a flush-mounted box
 - Not in the immediate vicinity of radiator thermostats

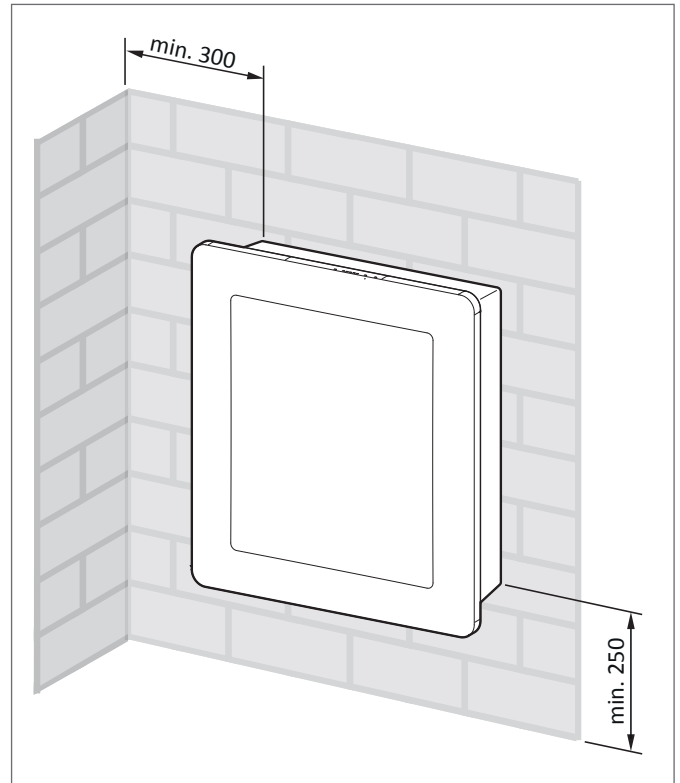
7.2 Additional requirements for AEROVITAL ambience smart

- The AEROVITAL ambience smart should be installed to be as free from interference as possible.
- The following interferences can have a negative influence on the WLAN signal:
 - Water pipes
 - Stone and concrete walls
 - Metal objects
 - Air conditioning units
 - Wireless devices (e. g. radio telephones, baby monitors, Bluetooth loudspeakers, etc.)
 - WLAN networks on the same wireless channels (e. g. the neighbour's WLAN router)
- If energy-carrying cables are routed in parallel to data cables (ISDN, DSL, etc.), this could lead to interference e.g. in the speed of the data transmission.

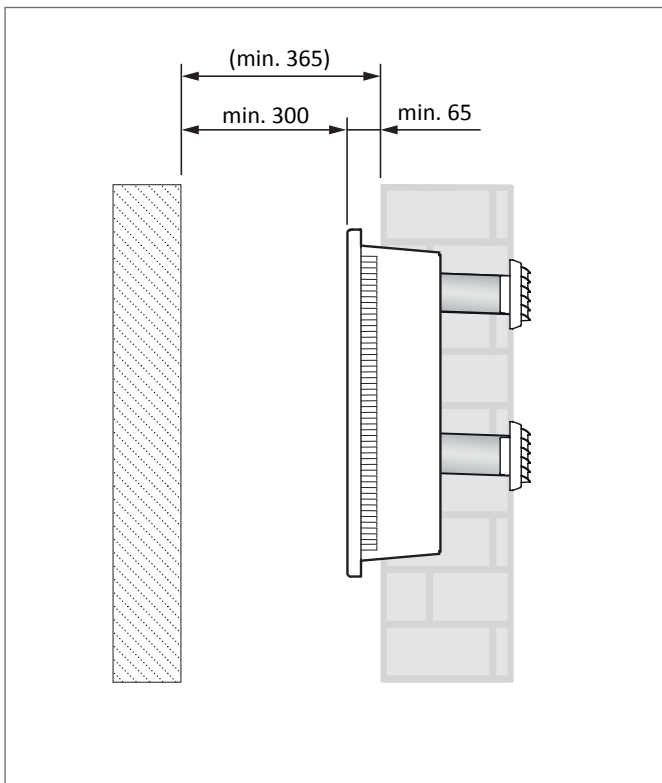
7.3 Installation dimensions



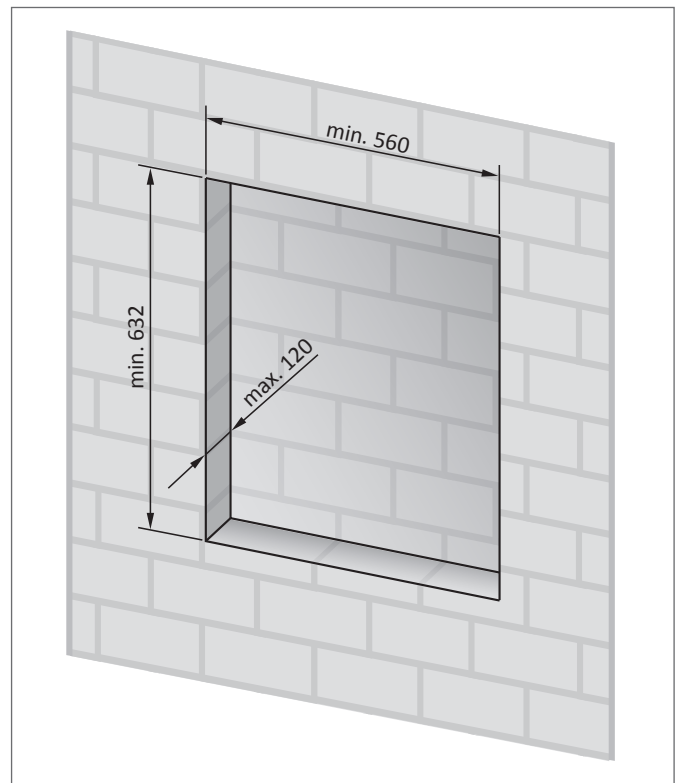
Distance to the front - installation in the wall



Distance to the ground and to the side

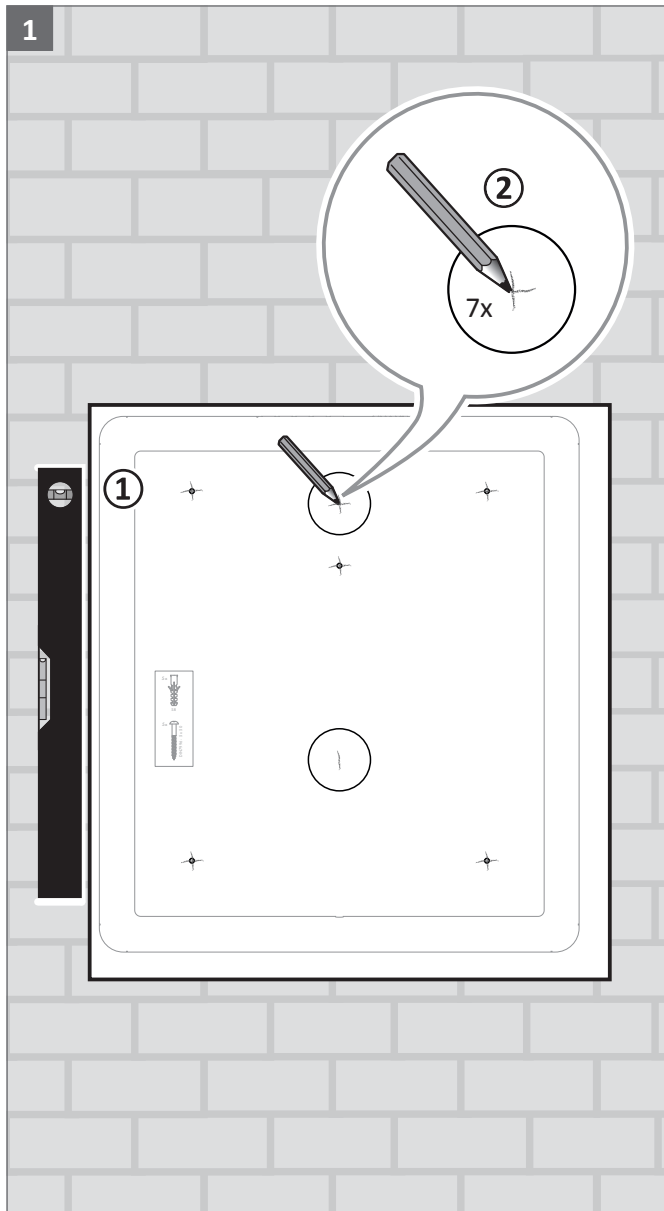


Distance to the front - installation in masonry

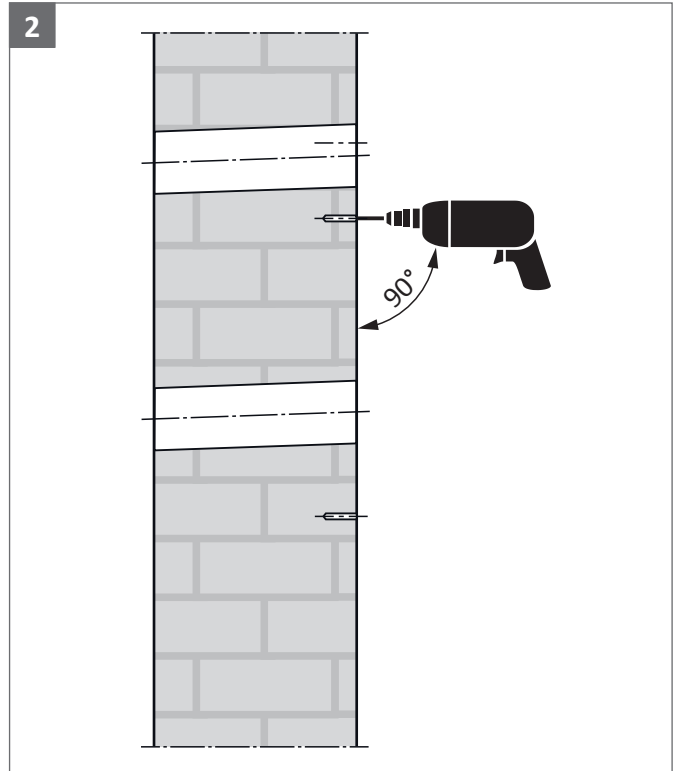


Wall recess (only with installation in masonry)

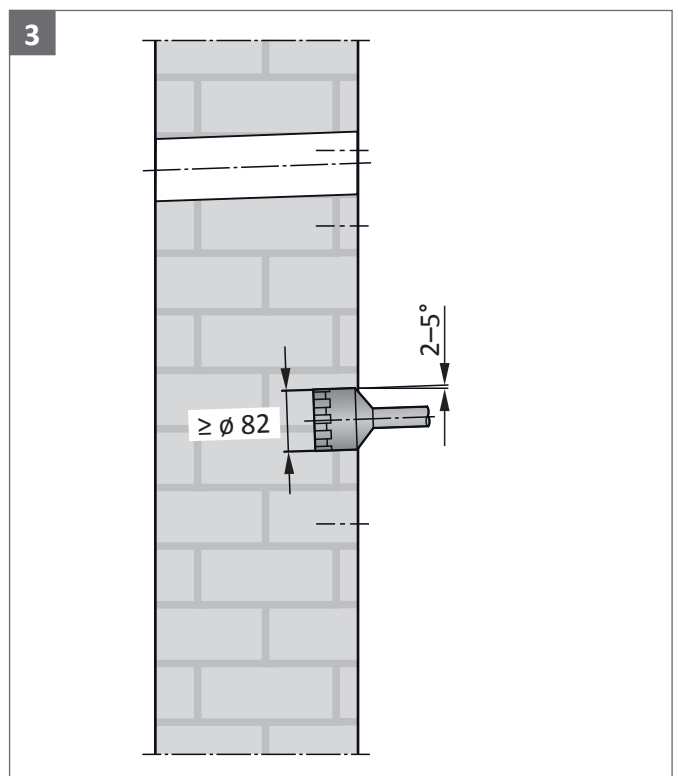
7.4 Installation sequence



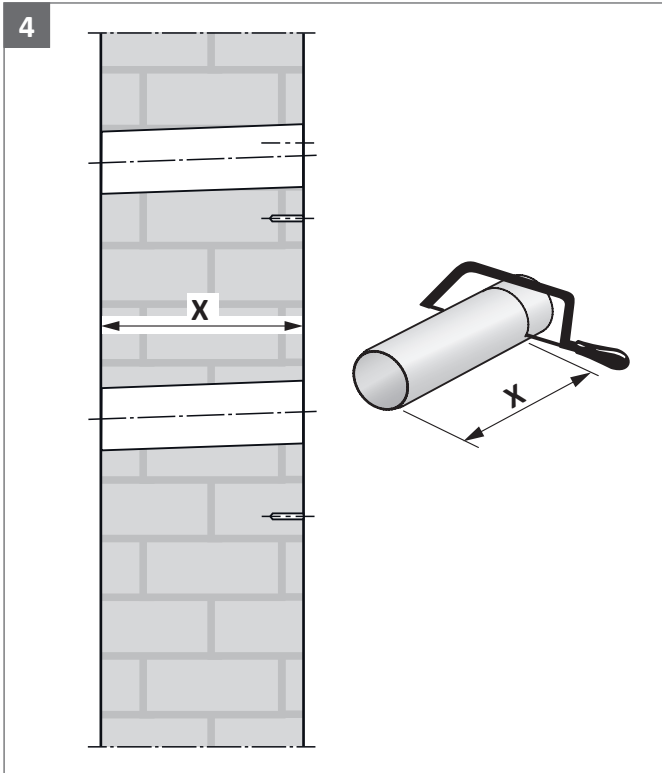
Mark the core holes and the fixing holes



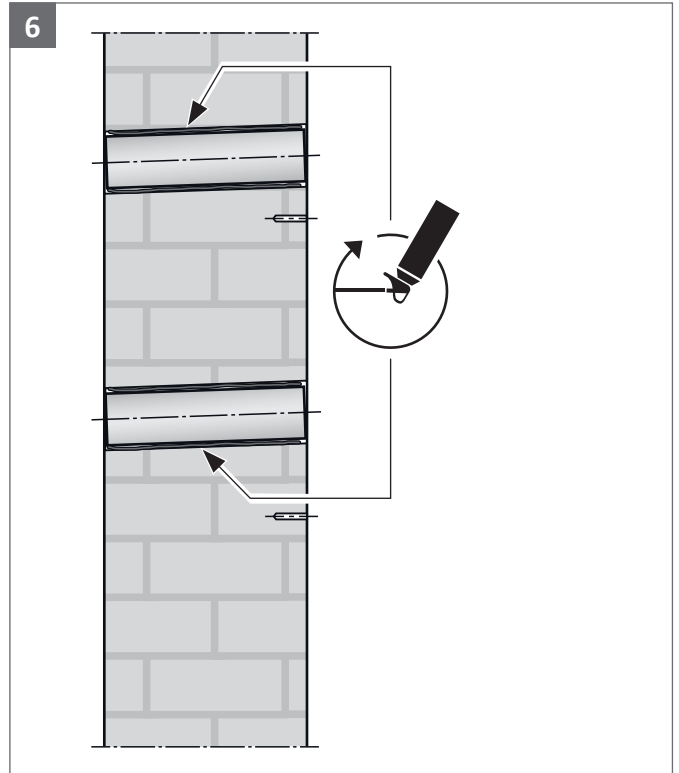
Drill the fixing holes



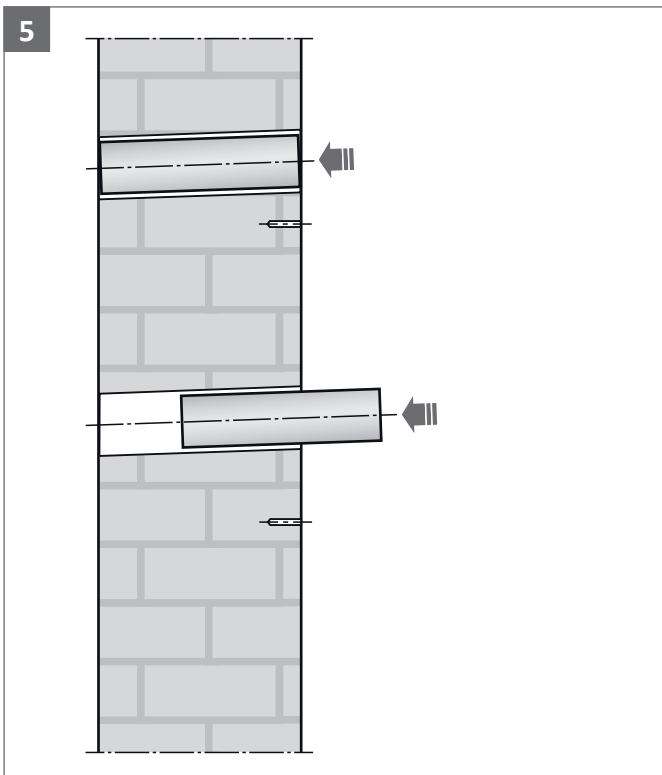
Drill the core holes



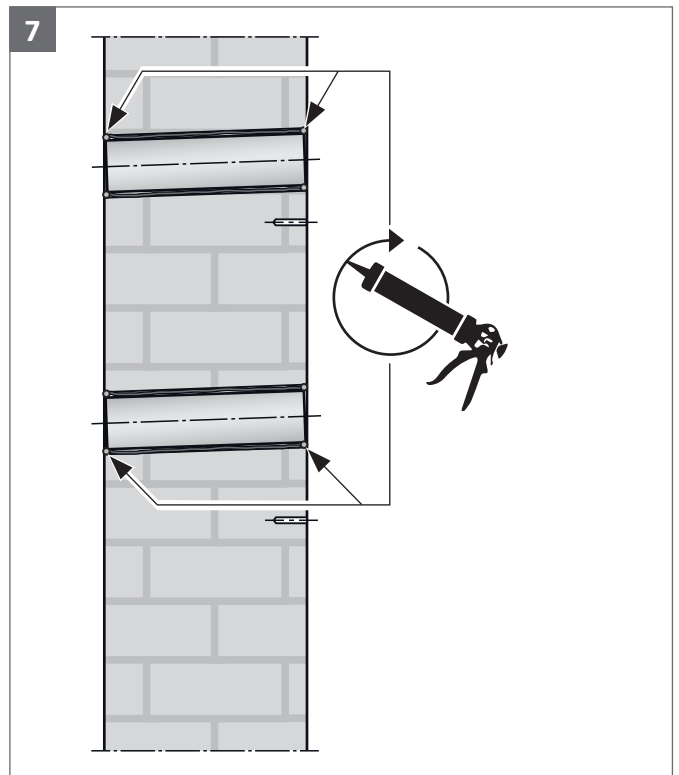
Shorten the pipes



Insulate the pipes (depending on requirements)



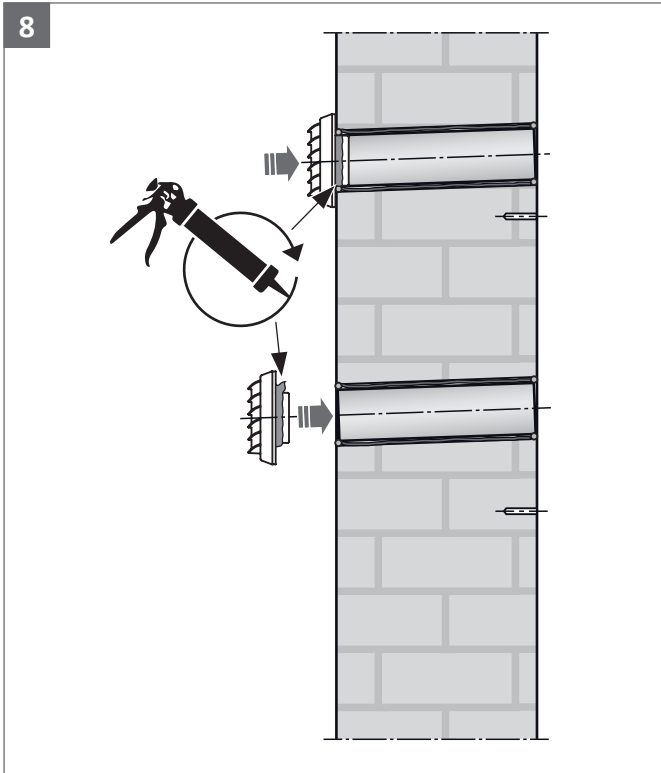
Insert the pipes



Seal the pipes



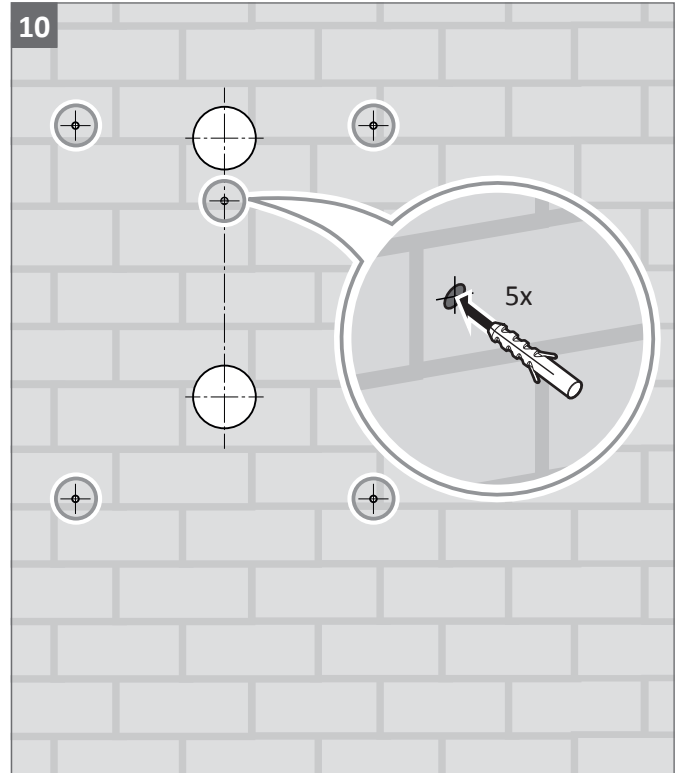
Inside = airtight seal
Outside = free-air seal



Insulate and fit the weather grille



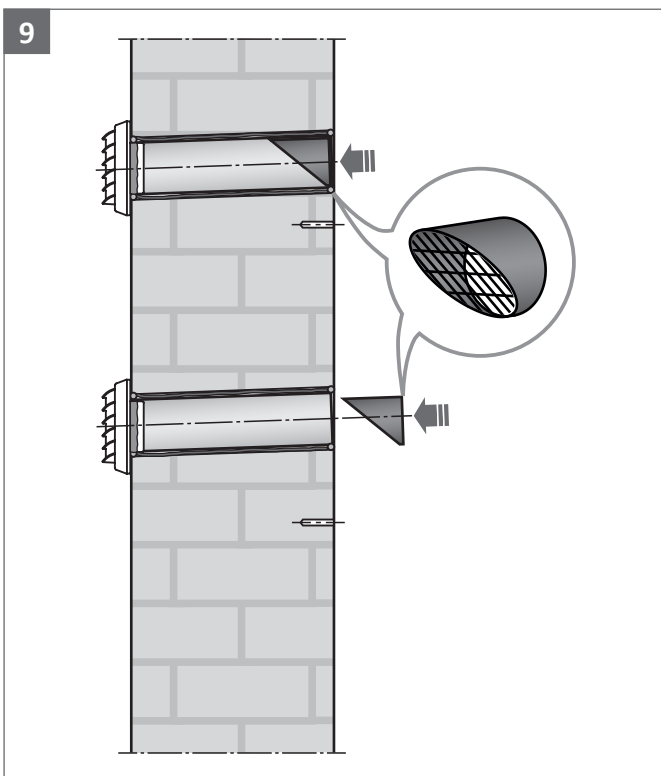
The lamellae on the weather grille must point downwards.



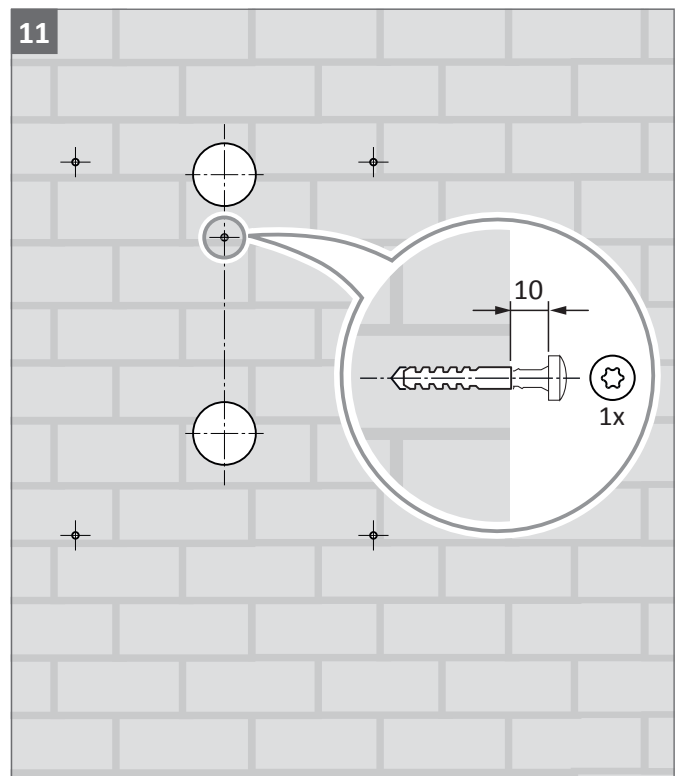
Insert the dowels



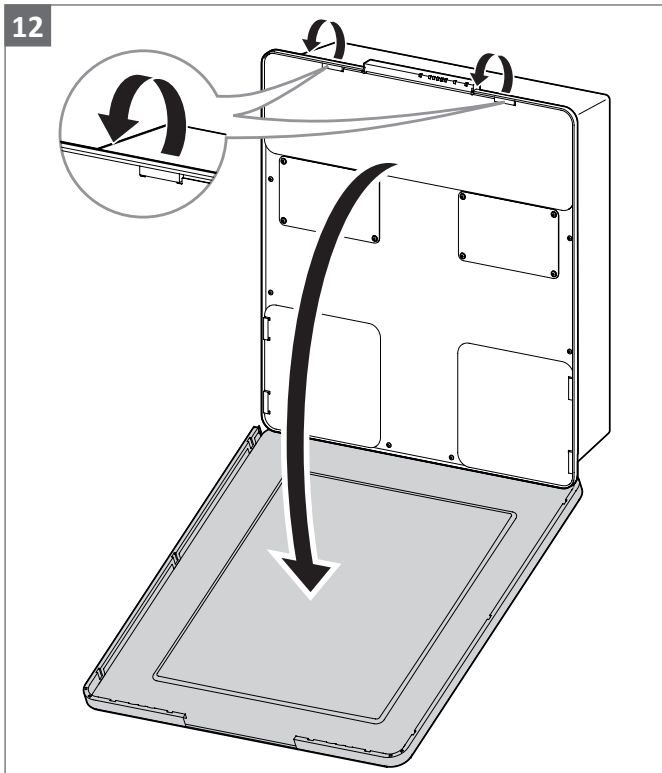
Depending on the type of wall, the customer may need to provide suitable dowels for inserting into the drill holes.



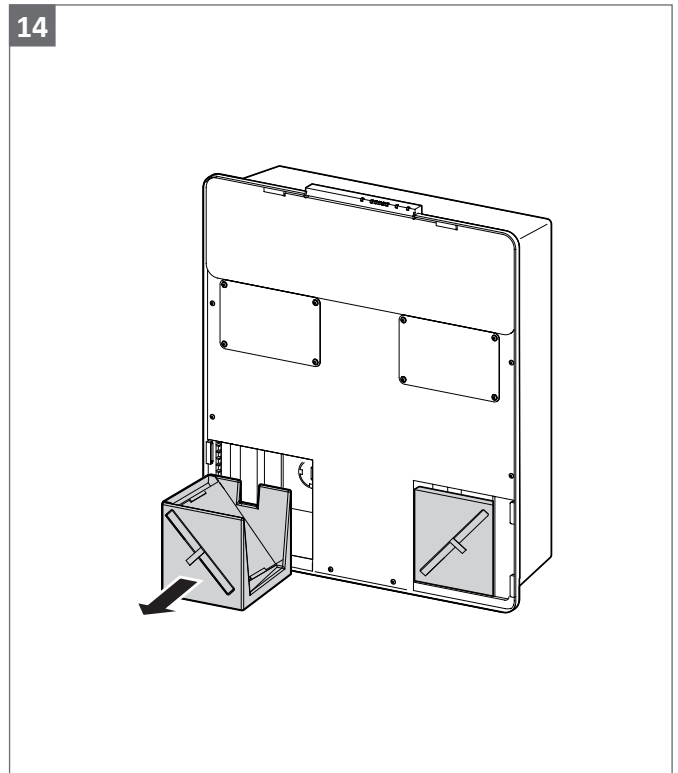
Insert the insect screen



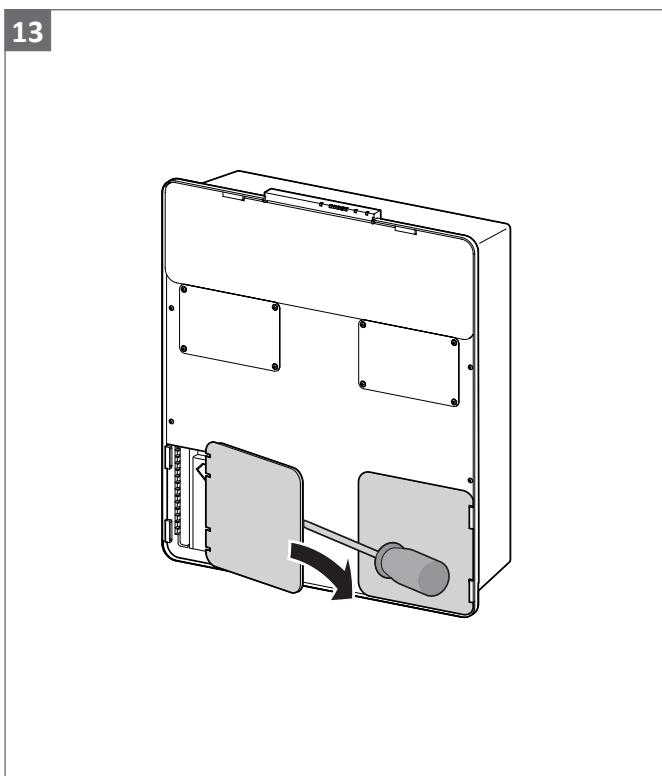
Screw in medium screws



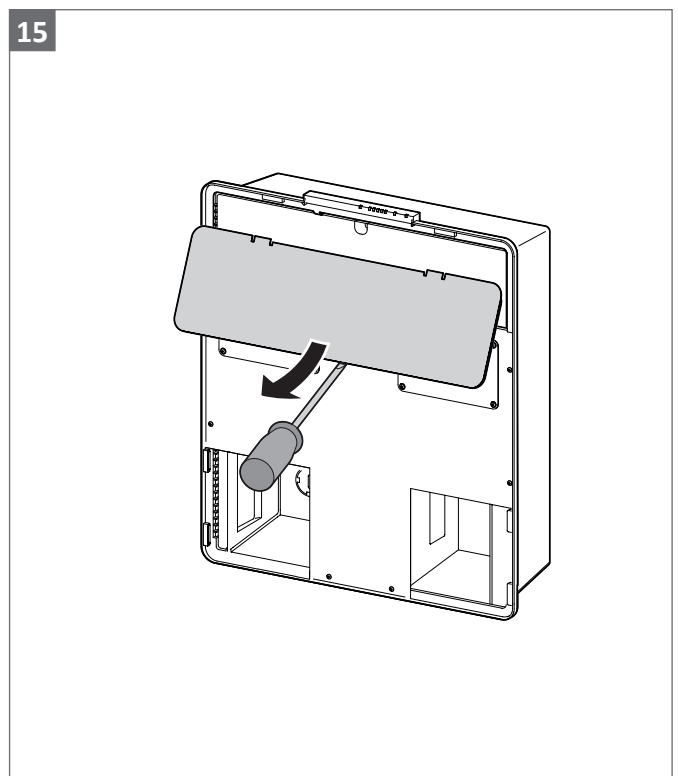
Remove the casing cover



Remove the exhaust air filter and filter bracket (left and right)

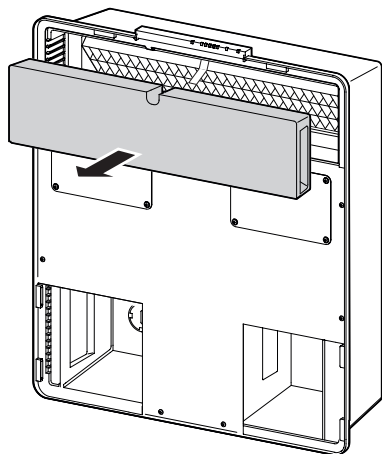


Release and remove the bottom cover plate



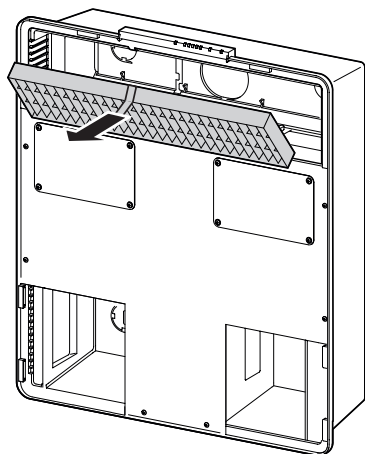
Release and remove the top cover plate

16



Remove the muffler

17



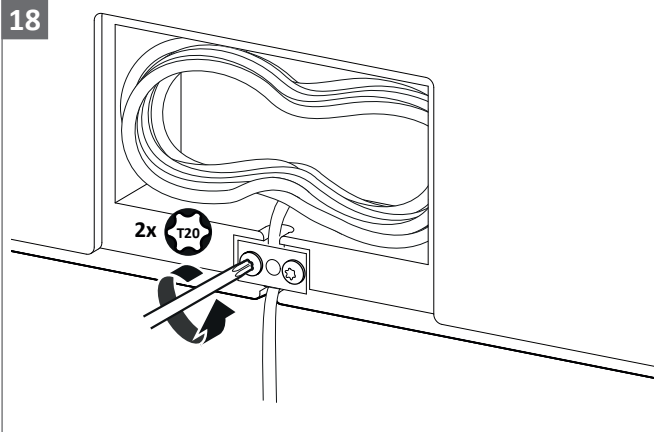
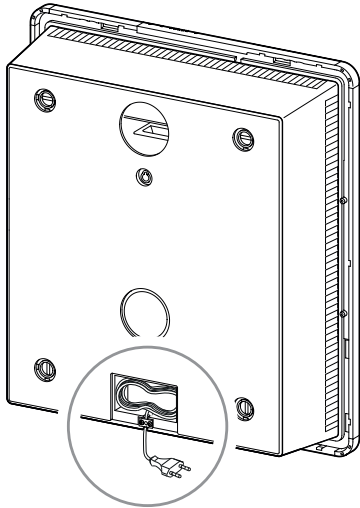
Remove the supply air filter

⚠ DANGER

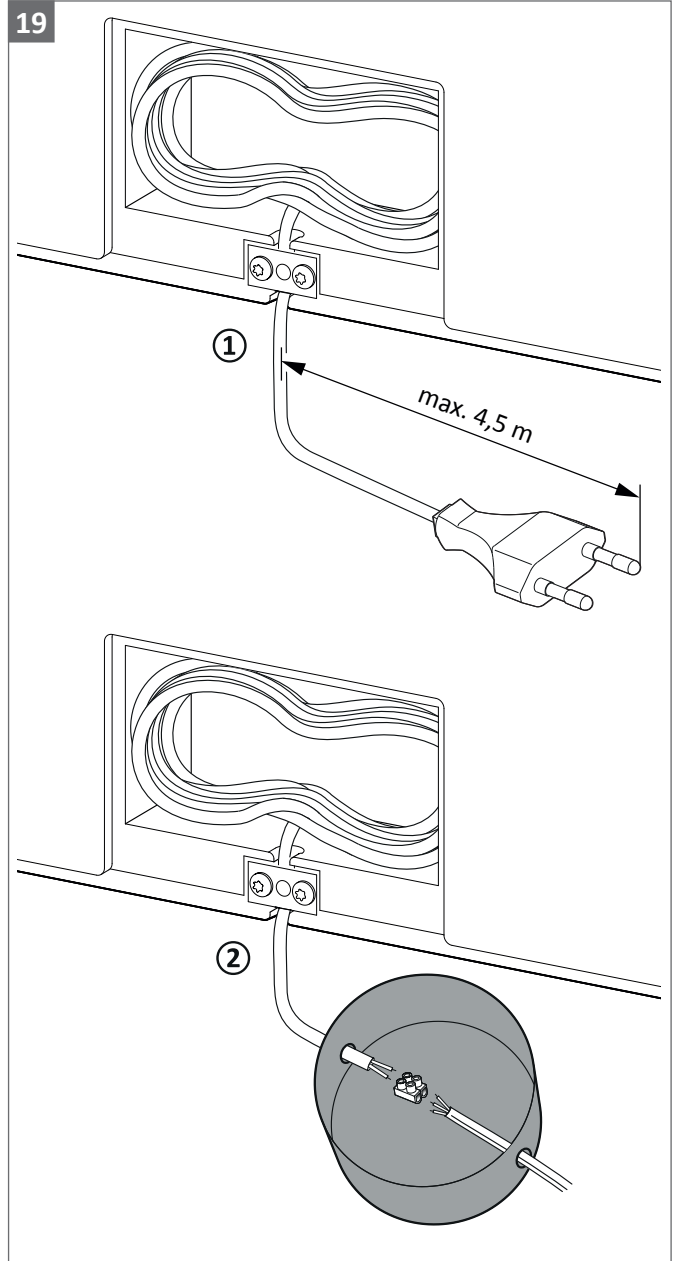
Exposed electrical components

Risk of fatal injury from electric shock or fire

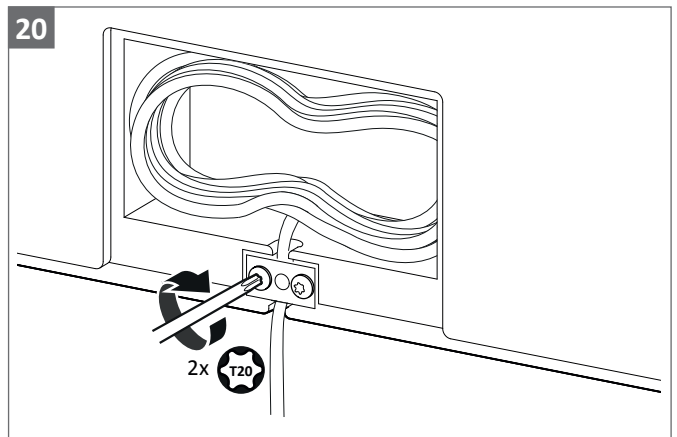
- Make sure that the power supply has been switched off prior to installation.
- All-pole safety isolation is required if the customer is routing the mains cable.



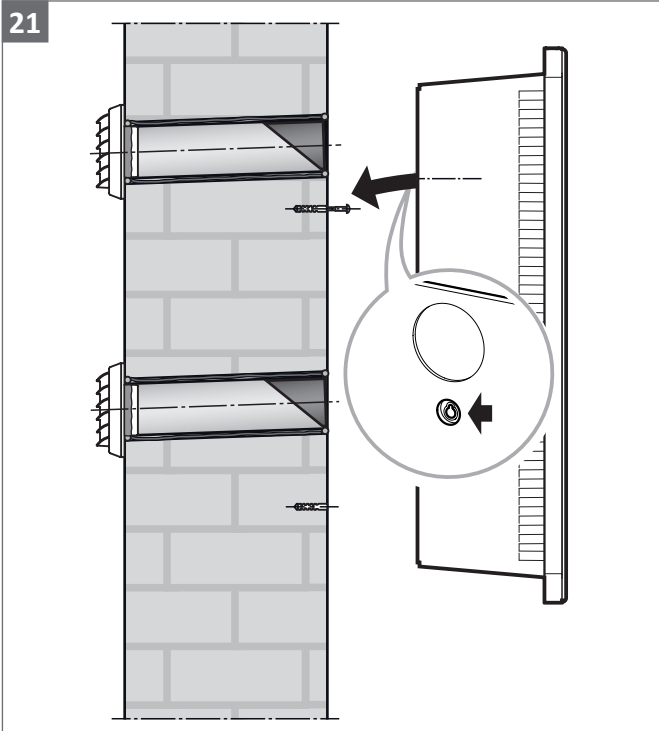
Release cable strain relief



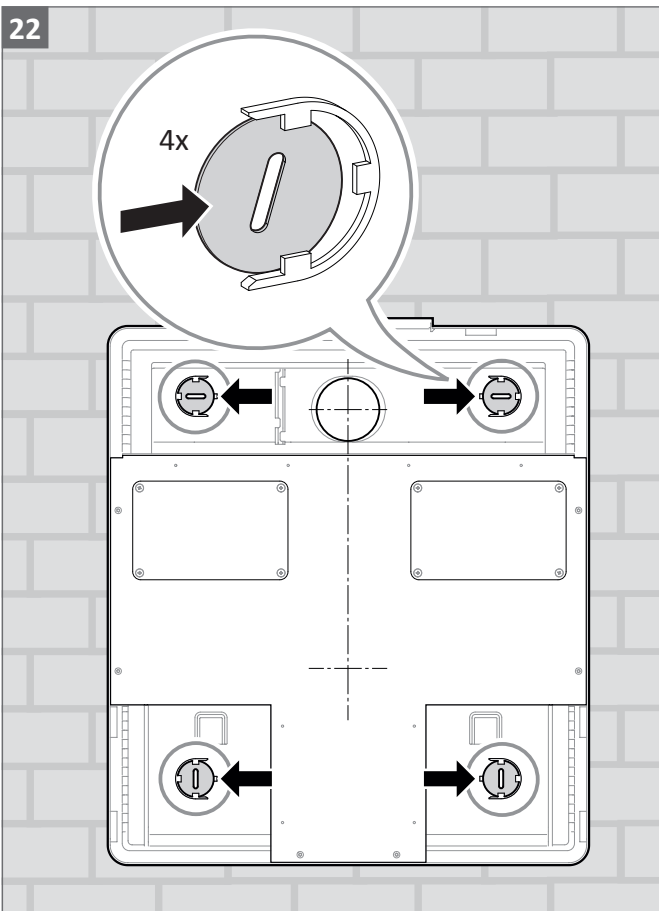
Standard connection ① or fixed connection ② (mains cable to be provided by customer)



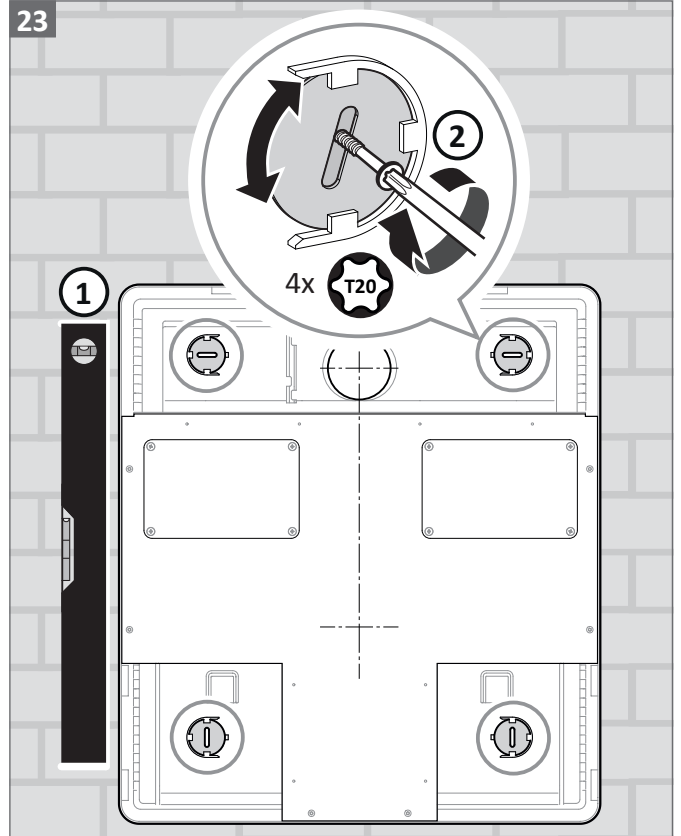
Fix cable strain relief



Hang the unit on the wall

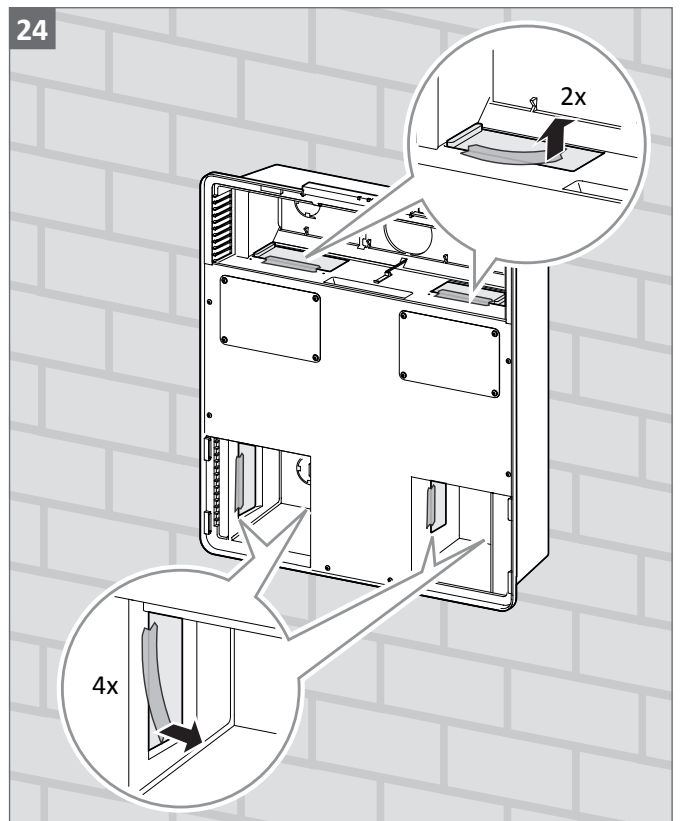


Insert screw connection plates



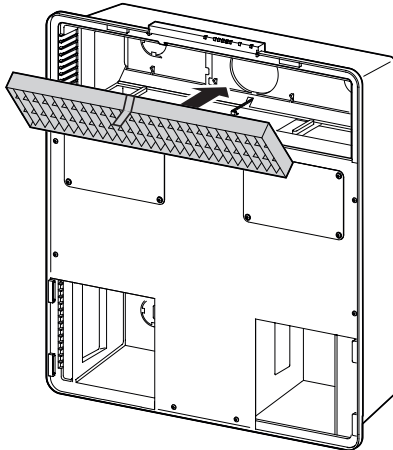
Adjust and fix the unit

! Screw connection plate must not be distorted while screwing into place (do not tighten with full force, do not apply a torque that is too high).



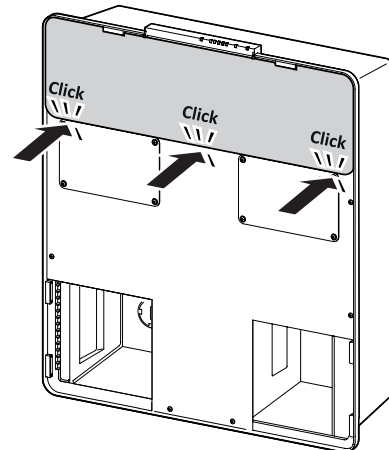
Remove the transit support adhesive tape (6 strips)

25



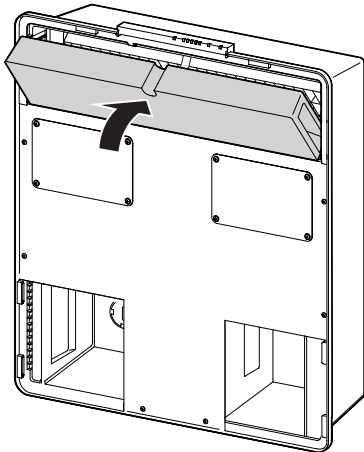
Insert the air supply filter

28



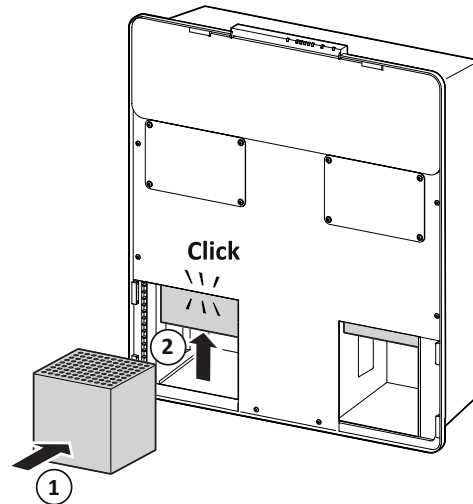
Fix the top cover plate

26



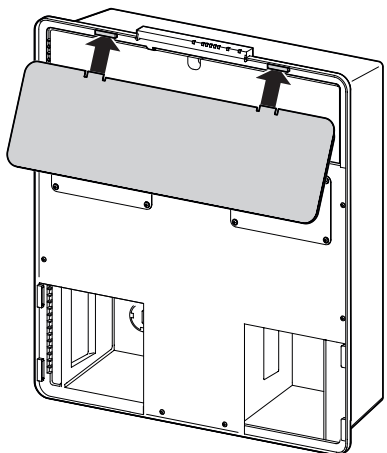
Position the muffer in the centre

29



Position the ceramic heat accumulator in the centre and press upwards until it engages

27



Position the top cover plate

⚠ WARNING

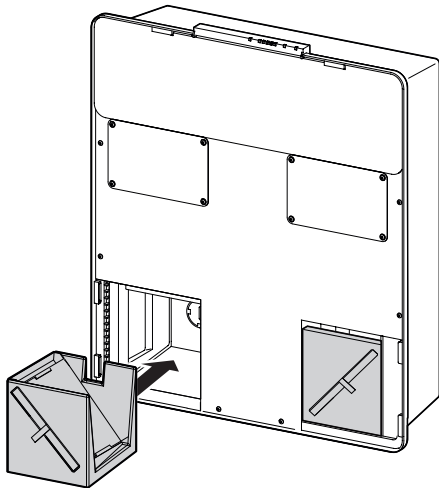
High weight of the ceramic heat accumulator

Risk of injury due to ceramic heat accumulator falling out



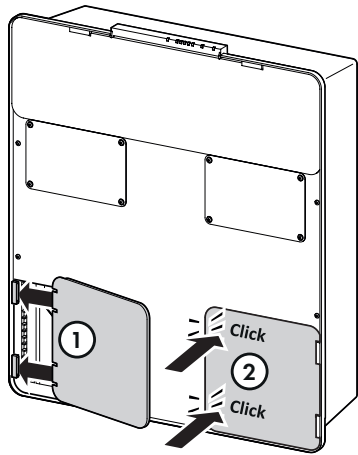
- Ensure that the ceramic heat accumulator does not fall down.
- Proceed with caution.

30



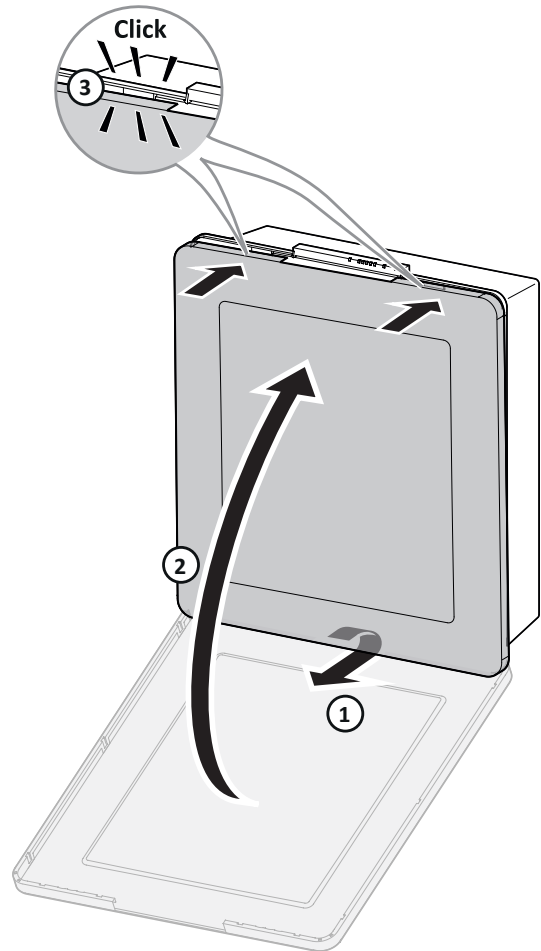
Position the exhaust air filter and filter bracket in the centre

31



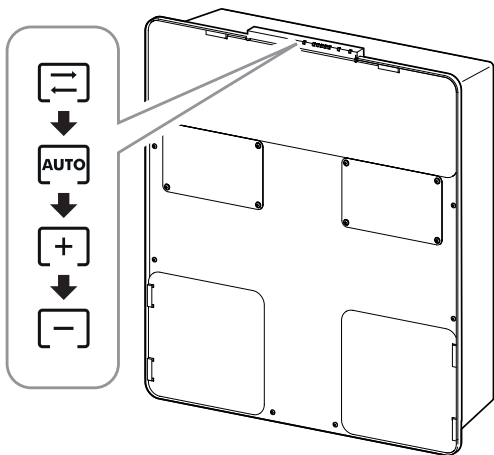
Position and fix the bottom cover plate

33



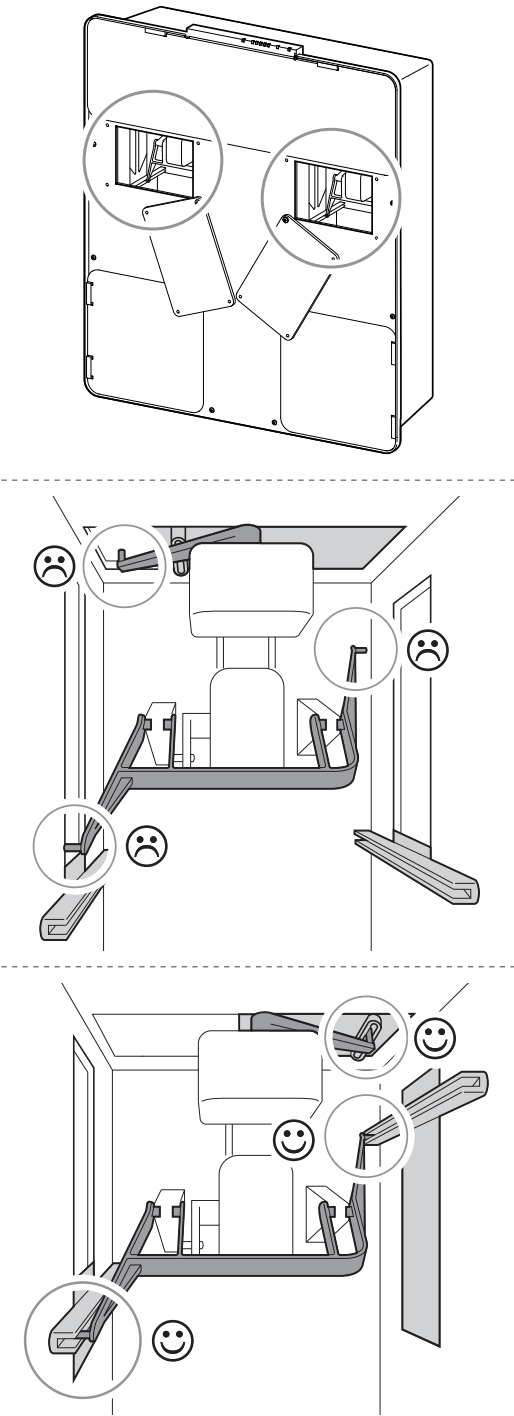
Close the casing cover

32



Switch on the current and perform a unit test run.
Enter the illustrated key combination to do this

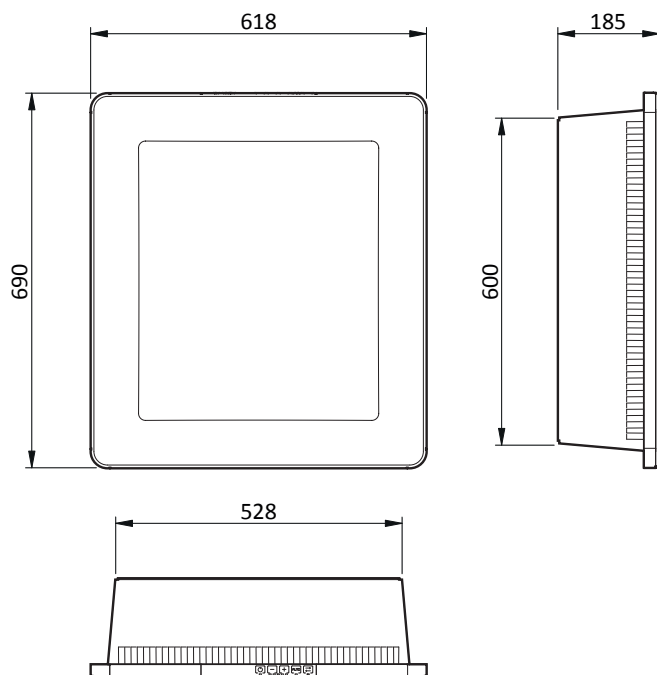
8 Rectification of malfunctions

Problem	Possible cause	Solution
<p>Increased noise development during the performance of the test run</p>	<p>Ceramic heat accumulator and exhaust air filter incl. filter bracket are not seated in the centre of the casing</p>	<ul style="list-style-type: none"> • Check the position of the ceramic heat accumulator and exhaust air filter incl. filter bracket and adjust if necessary • Perform test run (see page 16)
	<p>Slider on motor is not suspended properly</p>	<ul style="list-style-type: none"> • Open the inspection flap and check the position of the slider • Perform test run (see page 16) 

9 Technical specifications

	AEROVITAL ambience	AEROVITAL ambience smart
Inherent noise (measured according to DIN EN ISO 3741 with room insulation of 8 dB)	Level 1 $L_{PA} = 20$ dB (A) Level 2 $L_{PA} = 22$ dB (A) Level 3 $L_{PA} = 25$ dB (A) Level 4 $L_{PA} = 30$ dB (A) Level 5 $L_{PA} = 31$ dB (A)	Level 1 $L_{PA} = 20$ dB (A) Level 2 $L_{PA} = 22$ dB (A) Level 3 $L_{PA} = 25$ dB (A) Level 4 $L_{PA} = 30$ dB (A) Level 5 $L_{PA} = 31$ dB (A)
Air throughput	Level 1 25 m ³ /h Level 2 30 m ³ /h Level 3 42 m ³ /h Level 4 55 m ³ /h Level 5 60 m ³ /h	Level 1 25 m ³ /h Level 2 30 m ³ /h Level 3 42 m ³ /h Level 4 55 m ³ /h Level 5 60 m ³ /h
Power consumption (normal operating mode)	Level 1 6 W Level 2 7 W Level 3 8 W Level 4 11 W Level 5 12 W	Level 1 6 W Level 2 6 W Level 3 8 W Level 4 11 W Level 5 12 W
Heat recovery efficiency (in accordance with DiBT)	up to 85 %	up to 85 %
Sound absorption (in accordance with DIN EN 10140-2)	$D_{n,e,w} = 54$ dB	$D_{n,e,w} = 54$ dB
Sound absorption thanks to sound absorption pipe (measured according to DIN EN 10140-2)	$D_{n,e,w} = 58$ dB	$D_{n,e,w} = 58$ dB
Electrical connection	230 V AC / 0.06 A	230 V AC / 0.06 A
Protection class	II	II
Weight	24 kg	24 kg
Fresh air filters (supply air and exhaust air filters)	Filter grade M5	Filter grade M5
Admissible utilisation temperature	-15 °C to +40 °C	-15 °C to +40 °C
Technical approval	Z-51.3-403	Z-51.3-403

10 Dimensions



11 Product data sheet (in accordance with EU Regulation 1254/2014)

a	Manufacturer	SIEGENIA	SIEGENIA
b	Model identification	AEROVITAL ambience	AEROVITAL ambience smart
c	Energy consumption (SEV); Energy efficiency class (SEV class) (according to climatic zone warm / average / cold)	– 16.82 kWh/(m ² · a); E – 41.52 kWh/(m ² · a); A – 84.64 kWh/(m ² · a); A+	– 17.72 kWh/(m ² · a); E – 42.42 kWh/(m ² · a); A+ – 85.53 kWh/(m ² · a); A+
d	Type	WLA / ZLA	WLA / ZLA
e	Type of drive	Multi-stage control	Rotational speed control
f	Heat recovery system	regenerative	regenerative
g	Degree of temperature change	83 %	83 %
h	Highest air flow rate	60 m ³ /h	60 m ³ /h
i	Electrical input power	12.0 W	11.8 W
j	Noise level	33 dB (A)	33 dB (A)
k	Relative air flow rate	42 m ³ /h	42 m ³ /h
l	Relative pressure differential	—	—
m	Specific input power	0.20 W/(m ³ /h)	0.20 W/(m ³ /h)
n	Control factor / control typology	1.21 / 0.65	1.21 / 0.65
o	Highest degree of inner and outer leakage rate (inner / outer leakage)	0.0 % / 3.6 %	0.0 % / 3.6 %
p	Mix rate (inner area / outer area)	0.0 % / 0.0 %	0.0 % / 0.0 %
q	Instructions for replacing filter	see operating instructions H47.WANS007EN	see operating instructions H47.WANS007EN
r	Instructions for the mounting of outside air / exhaust air grilles (for one-directional ventilation units)	—	—
s	Instructions for dismantling	—	—
t	Pressure fluctuation sensitivity of the air flow (at +20 Pa and –20 Pa)	20 % / 23 %	20 % / 23 %
u	Air tightness between inside and outside	2.6 m ³ /h / 2.6 m ³ /h	2.6 m ³ /h / 2.6 m ³ /h
v	Annual power consumption	1.427 kWh/a	1.067 kWh/a
w	Annual saving of heating energy (according to climatic zone warm / average / cold)	20.39 kWh/a 45.09 kWh/a 88.20 kWh/a	20.39 kWh/a 45.09 kWh/a 88.20 kWh/a

www.siegenia.com



SIEGENIA[®]
brings spaces to life